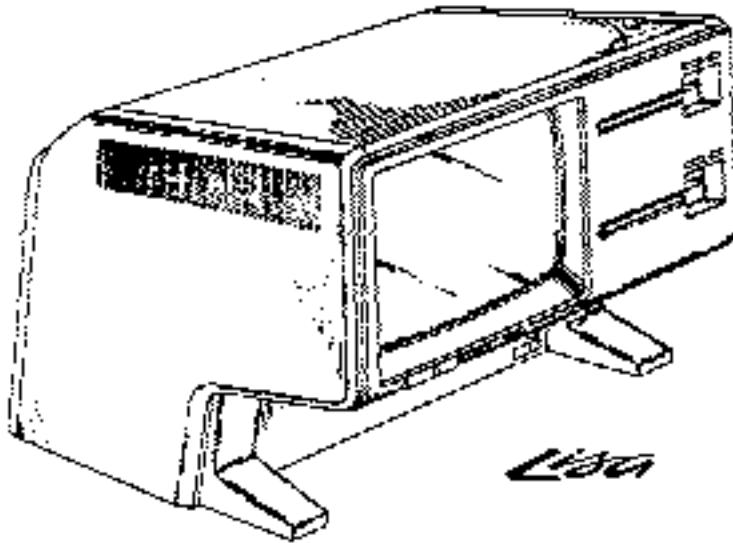


Apple Lisa 1 Computer Assembly Drawings



Source

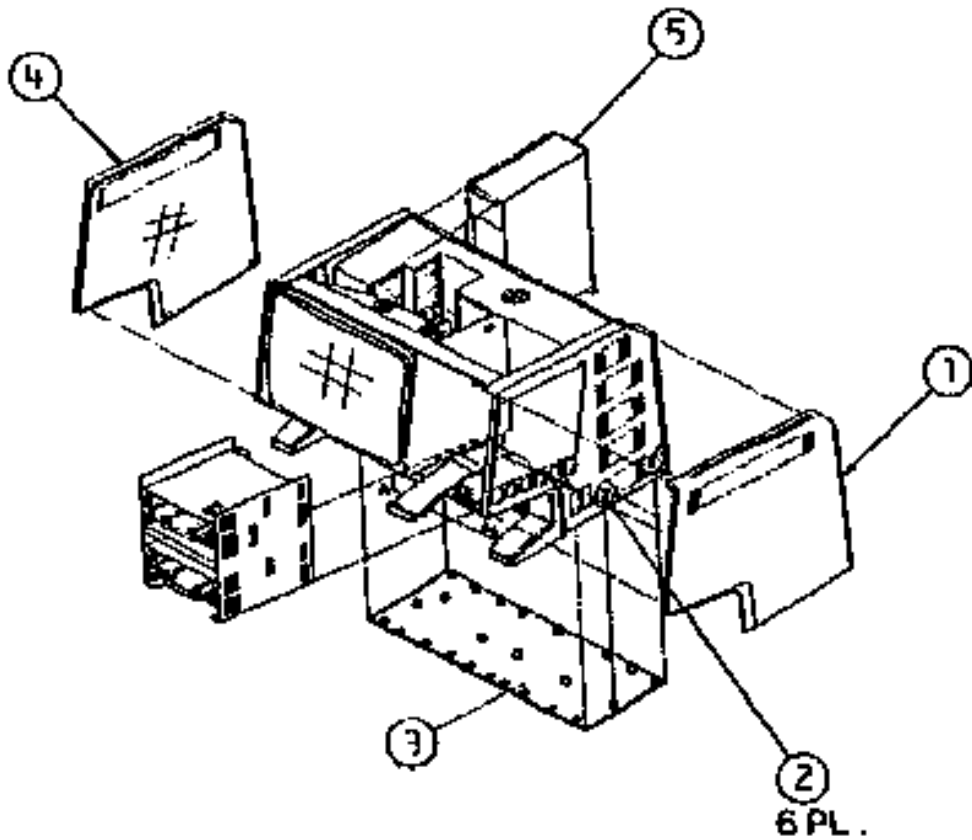
Lisa Level I Technical Procedures
Illustrated Parts List
October 1988
Apple Computer, Inc.

Scanned and annotated by David T. Craig around 1990.
Made into a PDF document on 01 September 1998.
71533.606@compuserve.com



Lisa

Apple Lisa 1 Computer Assembly Drawings



LISA 1 ILLUSTRATED PARTS LIST - FIGURE 1 OF 8
SOURCE: LISA LEVEL I TECHNICAL PROCEDURES (OCTOBER 1988)

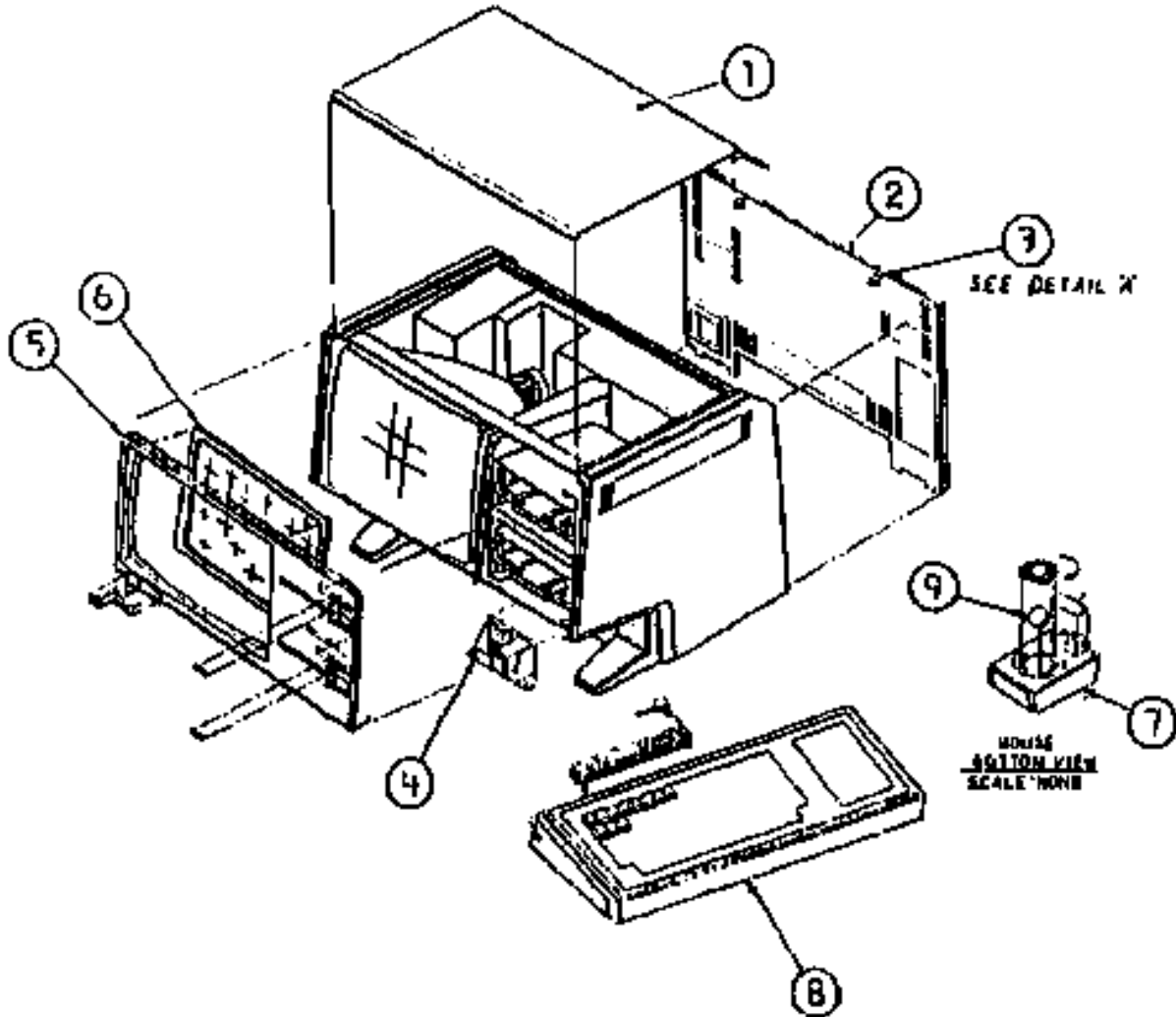
CHASSIS 3

- 1 RIGHT SIDE PLASTIC
- 2 BOTTOM PAN SCREW
- 3 BOTTOM PAN
- 4 LEFT SIDE PLASTIC
- 5 LISA 1.0/2.0 POWER SUPPLY



Lisa

Apple Lisa 1 Computer Assembly Drawings



LISA 1 ILLUSTRATED PARTS LIST - FIGURE 2 OF 8
SOURCE: LISA LEVEL I TECHNICAL PROCEDURES (OCTOBER 1988)

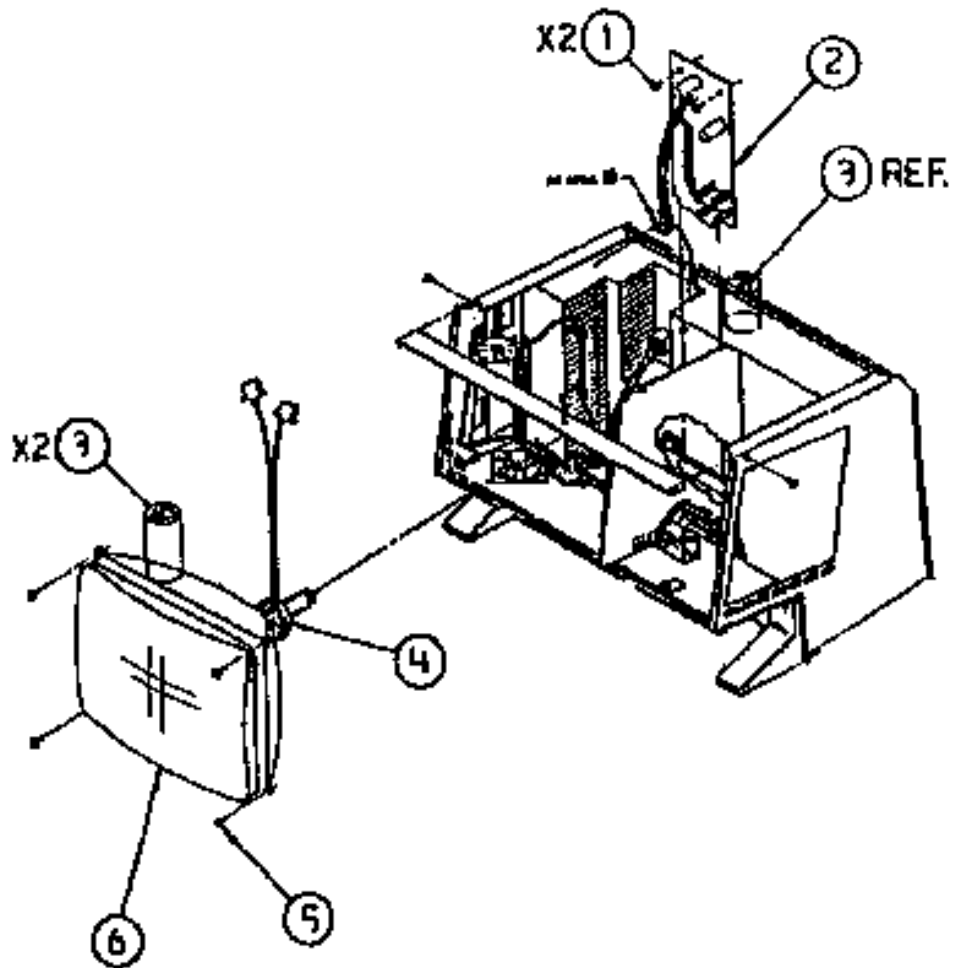
TOP ASSEMBLY

- 1 TOP COVER PLASTIC
- 2 SUBASSEMBLY, BACK
- 3 FASTENER, 1/4 TURN
- 4 LISA/MACINTOSH XL SOFT SWITCH ASSEMBLY
- 5 LISA 1.0 BEZEL SUBASSEMBLY
- 6 GLARE SCREEN ASSEMBLY
- 7 LISA MOUSE
- 8 LISA/MACINTOSH XL KEYBOARD
- 9 RUBBER COATED MOUSE BALL



Lisa

Apple Lisa 1 Computer Assembly Drawings



LISA 1 ILLUSTRATED PARTS LIST - FIGURE 3 OF 8
SOURCE: LISA LEVEL I TECHNICAL PROCEDURES (OCTOBER 1988)

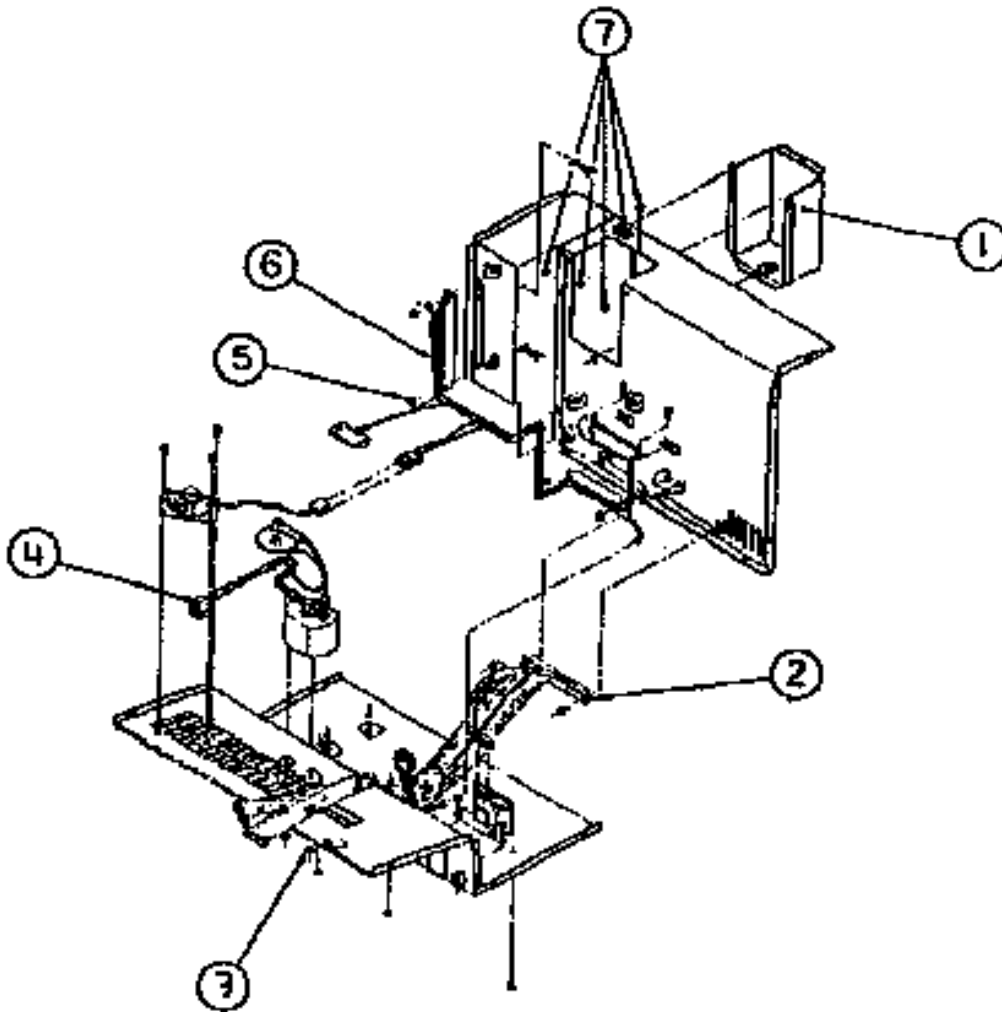
VIDEO ASSEMBLY

- 1 VIDEO BOARD SCREW, 6-32X3/16
- 2 LISA/MACINTOSH XL VIDEO BOARD
- 3 LABEL, DANGER
- 4 MAGNET, YOKE TRIM
- 5 SERRATED WASHER CRT 8-32X0.375
- 6 LISA/MACINTOSH XL CRT YOKE ASSEMBLY



Lisa

Apple Lisa 1 Computer Assembly Drawings



LISA 1 ILLUSTRATED PARTS LIST - FIGURE 4 OF 8
SOURCE: LISA LEVEL I TECHNICAL PROCEDURES (OCTOBER 1988)

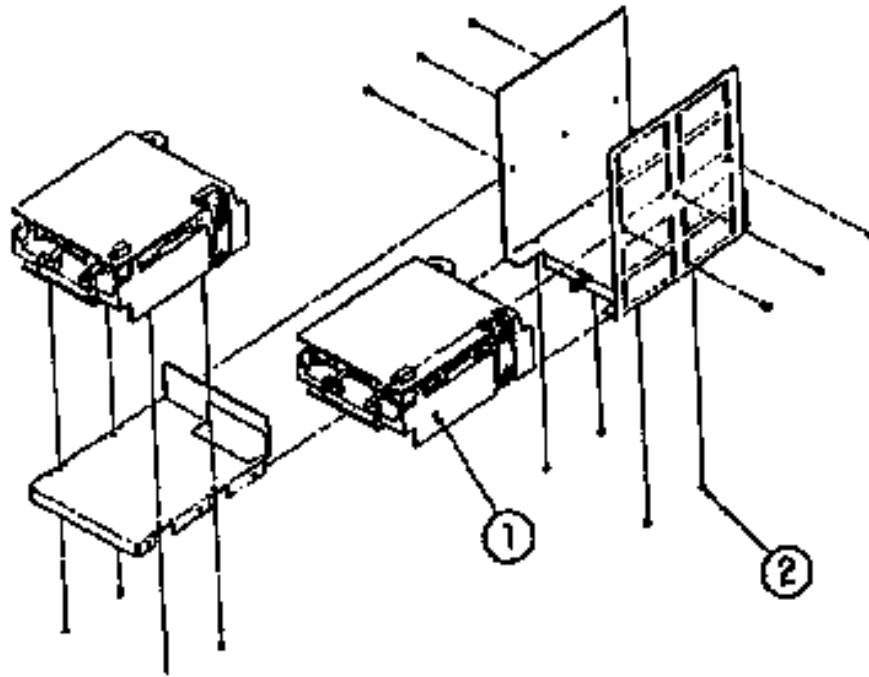
CHASSIS 1

- 1 CRT CUP
- 2 CABLE ASSEMBLY, DISK DRIVE, LISA 1.0/2.0
- 3 NUT/WASHER ASSY, M3 0.5, LISA/MACINTOSH XL FLYBACK
- 4 LISA/MACINTOSH XL FLYBACK TRANSFORMER
- 5 NUT/WASHER ASSY, CARD CAGE CHAMBER
- 6 CABLE ASSEMBLY, POWER, LISA 1.0
- 7 VIDEO BOARD SCREW, 6-32X3/16



Lisa

Apple Lisa 1 Computer Assembly Drawings



LISA 1 ILLUSTRATED PARTS LIST - FIGURE 5 OF 8
SOURCE: LISA LEVEL I TECHNICAL PROCEDURES (OCTOBER 1988)

DISK DRIVE ASSEMBLY

- 1 LISA 1.0 DRIVE MODULE
- 2 DISK DRIVE SCREW, 6-32X1/4



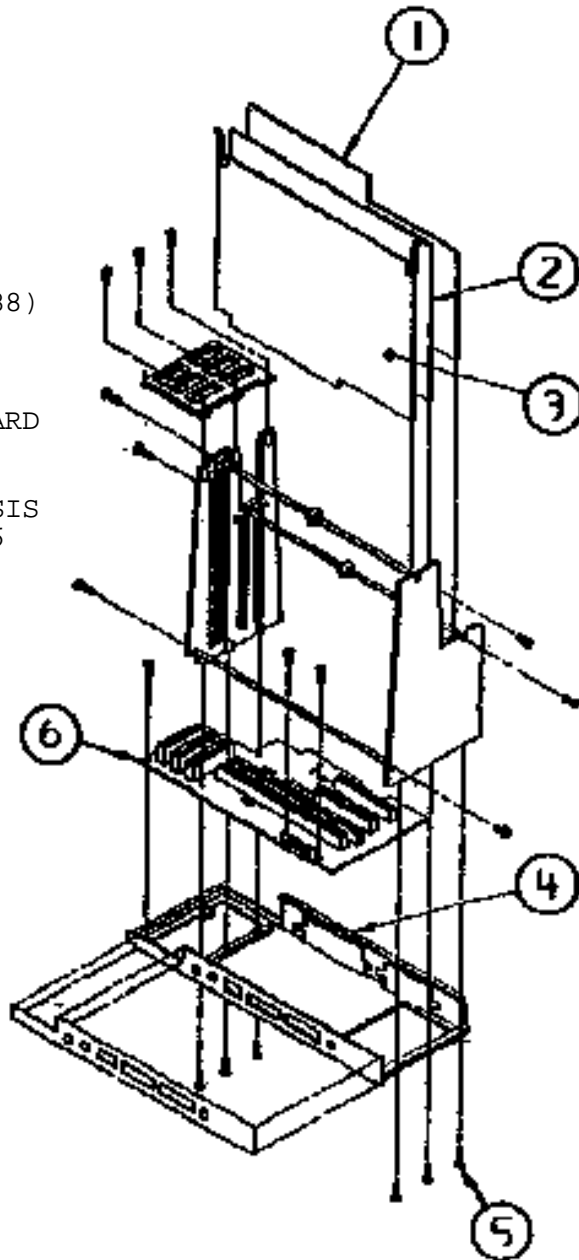
Lisa

Apple Lisa 1 Computer Assembly Drawings

LISA 1 ILLUSTRATED PARTS LIST
FIGURE 6 OF 8
SOURCE: LISA LEVEL I TECHNICAL
PROCEDURES (OCTOBER 1988)

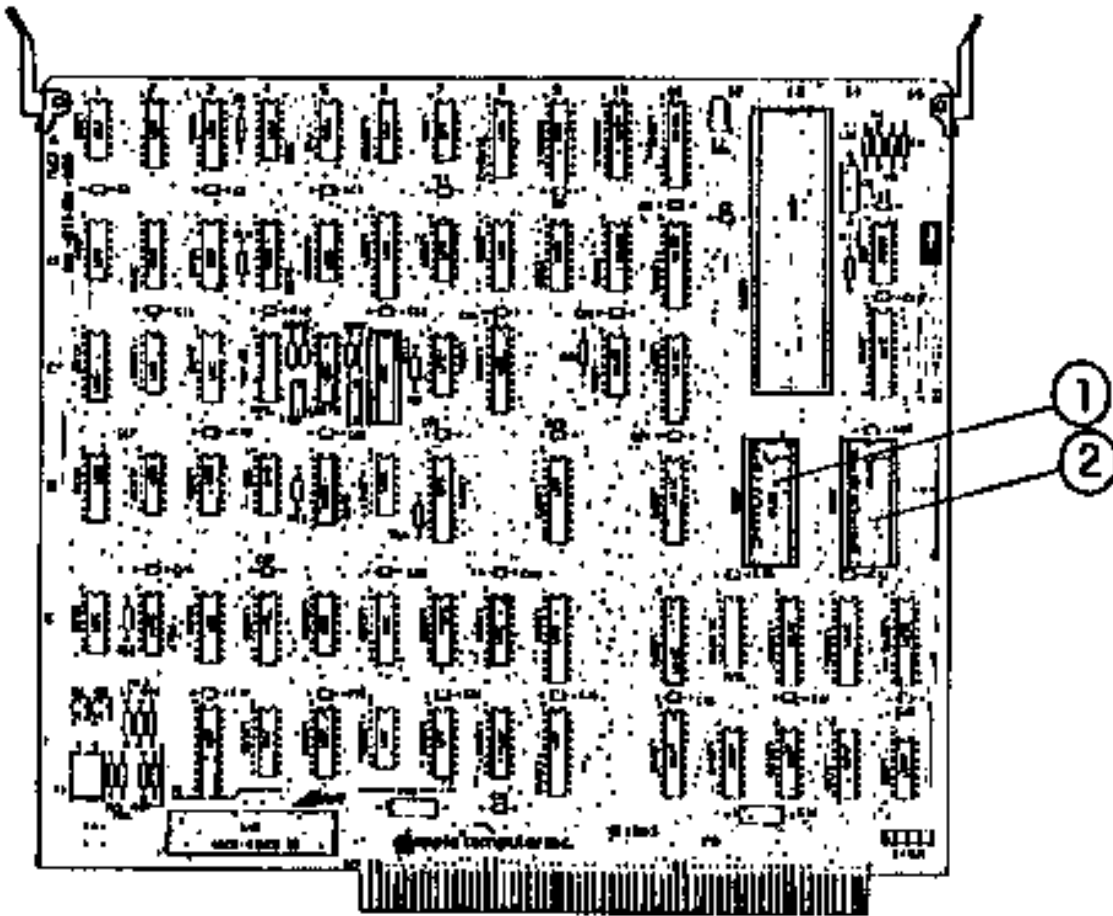
CARD CAGE

- 1 LISA/MACINTOSH XL MEMORY BOARD
- 2 LISA/MACINTOSH XL CPU BOARD
- 3 LISA 1.0 I/O BOARD
- 4 LISA 1.0/2.0 CARD CAGE CHASSIS
- 5 CARD CAGE SCREW, 4-40 X 5/16
- 6 LISA 1.0/2.0 MOTHERBOARD



Lisa

Apple Lisa 1 Computer Assembly Drawings



LISA 1 ILLUSTRATED PARTS LIST - FIGURE 7 OF 8
SOURCE: LISA LEVEL I TECHNICAL PROCEDURES (OCTOBER 1988)

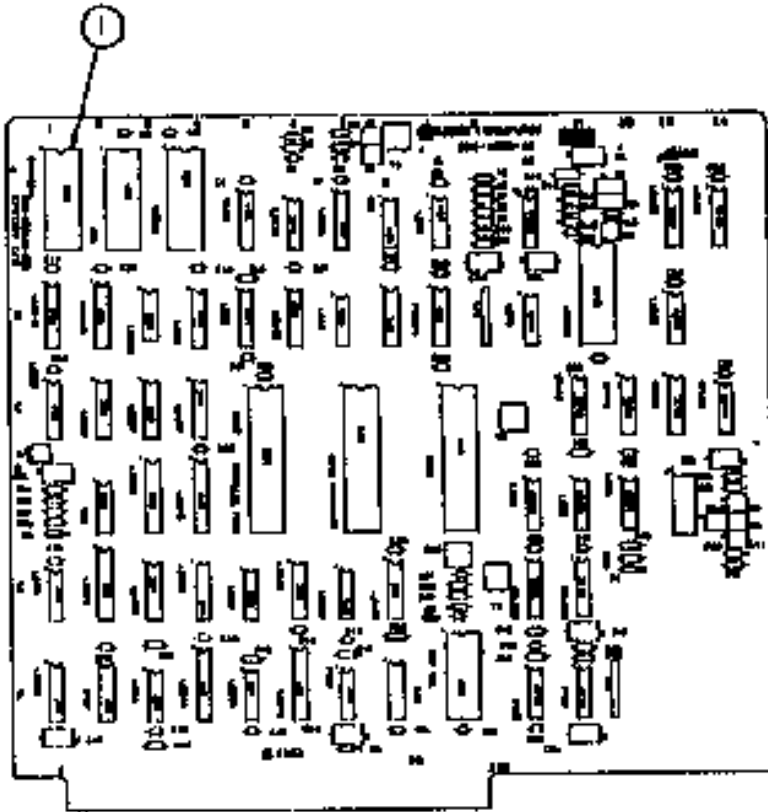
CPU BOARD

- 1 BOOT ROM, HIGH 16K
- 2 BOOT ROM, LOW 16K



LISA

Apple Lisa 1 Computer Assembly Drawings



LISA 1 ILLUSTRATED PARTS LIST - FIGURE 8 OF 8
SOURCE: LISA LEVEL I TECHNICAL PROCEDURES (OCTOBER 1988)

I/O BOARD

1 DISK CONTROLLER ROM

The End



Lisa